

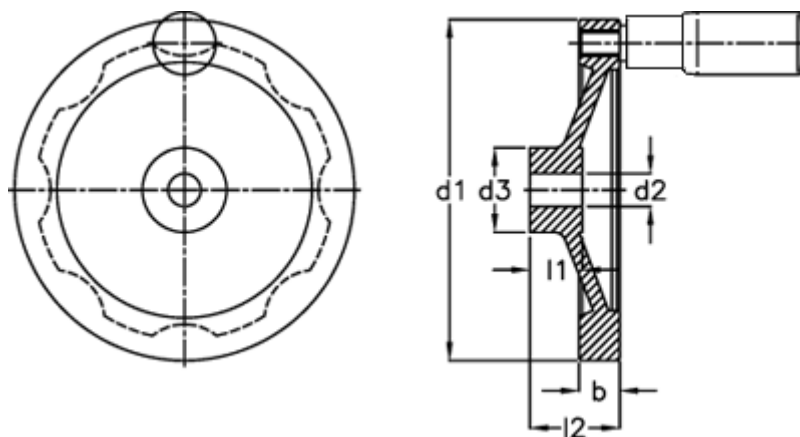
Data Sheet



Article number: 201119314

Description: E+G Handwheel
GN 323-160-K14-R

Measures



b = 18.0

d1 = 160

d2 H7 = 14

d3 = 36

Handle = 24

l1 = 20

l2 = 39